



Guardian 1911
.45 caliber Pistol



**GROUP
INDIA ARMS CORPORATION
LUCKNOW**



Classic 1911

M & T Partners



&

Phillips



USA



Guardian 1911
.45 caliber Pistol

In Association with



GROUP
INDIA ARMS CORPORATION
LUCKNOW



Extended
Mag Release

Interchangeable
G10 Grips

Magwell for
Speed Loading

Night Optic
Novak Style Sights



M & T Partners



& **Phillips**



USA

In Association with



Guardian 1911
.45 caliber Pistol



GROUP
INDIA ARMS CORPORATION
LUCKNOW



M & T Partners



& **Phillips**



USA



Guardian 1911
.45 caliber Pistol

In Association with



GROUP
INDIA ARMS CORPORATION
LUCKNOW



TAC-LIGHT
WITH RAIL



M & T Partners



& **Phillips**



USA

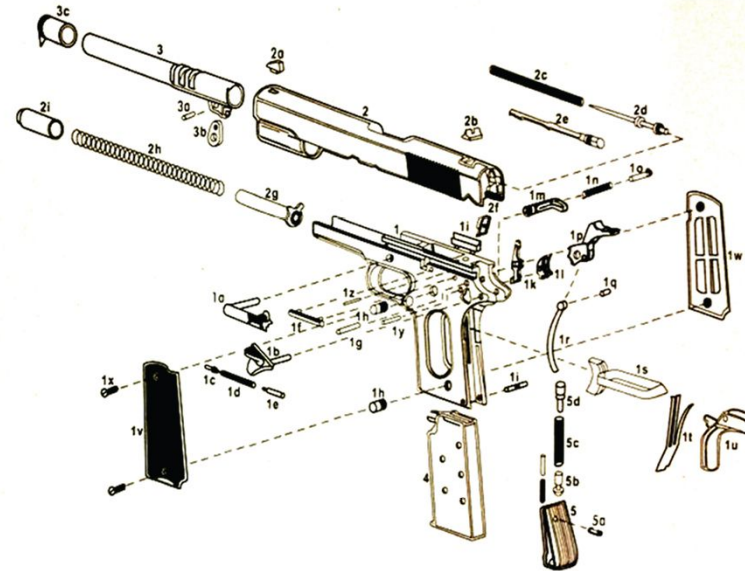


SPECIFICATIONS

MSD-45 GUARDIAN 1911

EXPLODED VIEW

- 1. FRAME
- 1A. SLIDE STOP
- 1B. EXTENDED THUMB SAFETY
- 1C. SLIDE STOP PLUNGER
- 1D. THUMB SAFETY/SLIDE STOP SPRING
- 1E. SAFETY PLUNGER
- 1F. PLUNGER TUBE
- 1G. HAMMER TUBE
- 1H. GRIP SCREW
- 1I. MAINSPRING HOUSING RETAINER PIN
- 1J. EJECTOR, EXTENDED
- 1K. DISCONNECTOR
- 1L. SEAR
- 1M. MAGAZINE CATCH
- 1N. MAGAZINE CATCH SPRING
- 1O. MAGAZINE CATCH LOCK
- 1P. HAMMER
- 1Q. HAMMER STRUT PIN
- 1R. HAMMER STRUT
- 1S. TRIGGER
- 1T. SEAR SPRING
- 1U. GRIP SAFETY
- 1V. GRIP LH
- 1W. GRIP RH



- 1X. GRIP SCREW
- 1Y. SEAR PIN
- 1Z. EJECTOR PIN
- 2. SLIDE
- 2A. FRONT SIGHT
- 2B. REAR SIGHT
- 2C. FIRING PIN SPRING
- 2D. FIRING PIN
- 2E. EXTRACTOR
- 2F. FIRING PIN STOP
- 2G. RECOIL SPRING GUIDE
- 2H. RECOIL SPRING
- 2I. GUIDE PLUG
- 3. BARREL
- 3A. BARREL LINK PIN
- 3B. BARREL LINK
- 3C. BARREL BUSHING
- 4. MAGAZINE
- 5. MAINSPRING HOUSING
- 5A. LOCKING BOLT
- 5B. MAINSPRING RETAINER
- 5C. MAINSPRING
- 5D. MAINSPRING CAP
- 5E. PLUNGER
- 5F. PLUNGER SPRING

TECHNICAL SPECIFICATIONS

CALIBRE	: .45	CAPACITY	: 7 + 1
ACTION	: SINGLE ACTION SEMI-AUTOMATIC	BARREL	: 5 INCH
FEATURE	: HAMMERED	LENGTH	: 8.5 INCH
SAFETY	: THUMB, GRIP, FIRING PIN	WEIGHT	: 1150 GRAMS



Guardian 1911
.45 caliber Pistol

In Association with



GROUP
INDIA ARMS CORPORATION
LUCKNOW

Our Authorised Dealers

- **Lamba Arms Corporation**

Add: **39/11 Meston Road, Kanpur U.P** | Call: **+91 9935032113**

- **Pal Brothers**

Address: **204 - Station Road Bareilly U.P** | Call: **+91 8392910503**

- **Blue Sapphire Arms**

Address: **Vaishali Nagar Square, Bilaspur, Chhattisgarh** | Call: **+91 9826900555**

- **Kamledra Deopura & Co.**

Address: **Anand Vihar , Tekri madri link road** | Call: **+91 9352500604**
opp. Sanjay Vatika ,Udaipur



/groupindiarmscorporation



sales@indiaarms.com

M & T Partners



&

Phillips



USA